

artos

F903-8TK

INSTALLATION GUIDE

pressure balance mixer with
push-button diverter trim kit
saifre

BRUSHED NICKEL(BN)



CHROME(CH)



BLACK (BK)



artos

F903-8TK

pressure balance mixer with
push-button diverter trim kit
saifre

OPERATING SPECIFICATIONS

for associated valve | F903-14



OPERATING PRESSURE

Minimum: 45 psi

Maximum: 75 psi

Above 90psi it may be necessary to install a pressure reducer

OPERATING TEMPERATURE

Maximum: 176°

FLOW CAPACITY

5.5 USGPM@60 psi

Used with shower heads rated at 2 gpm or higher

INLET/OUTLET

1/2" Female NPT- Inlets & Top Outlet

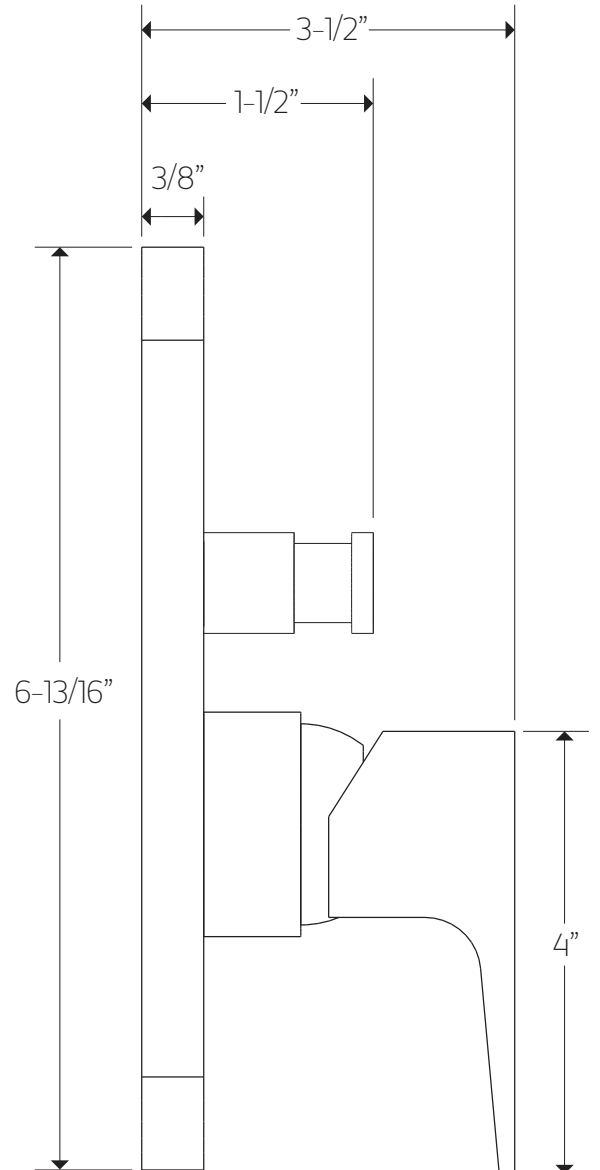
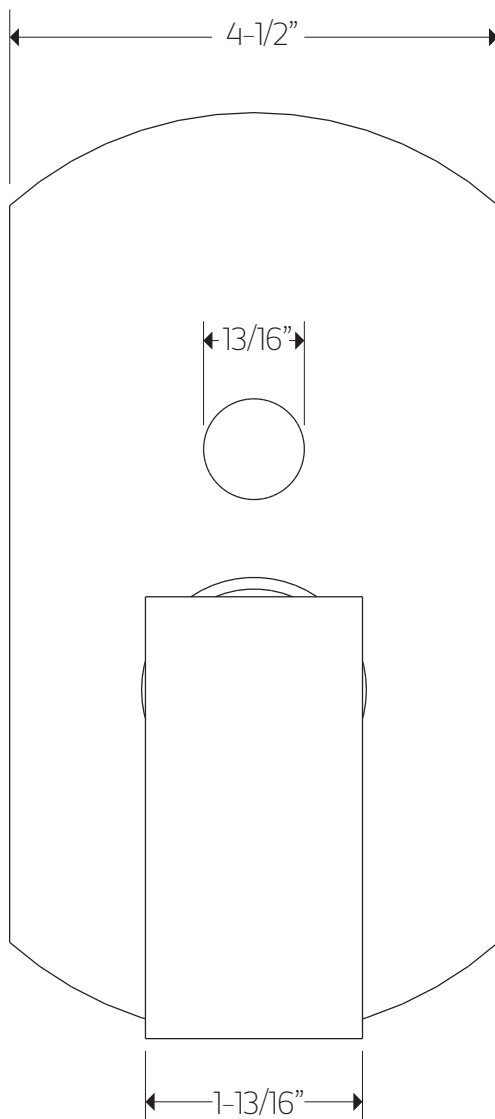
3/4" Female NPT- Bottom Outlet

artos

F903-8TK

PRODUCT DIMENSIONS

pressure balance mixer with
push-button diverter trim kit
saifre

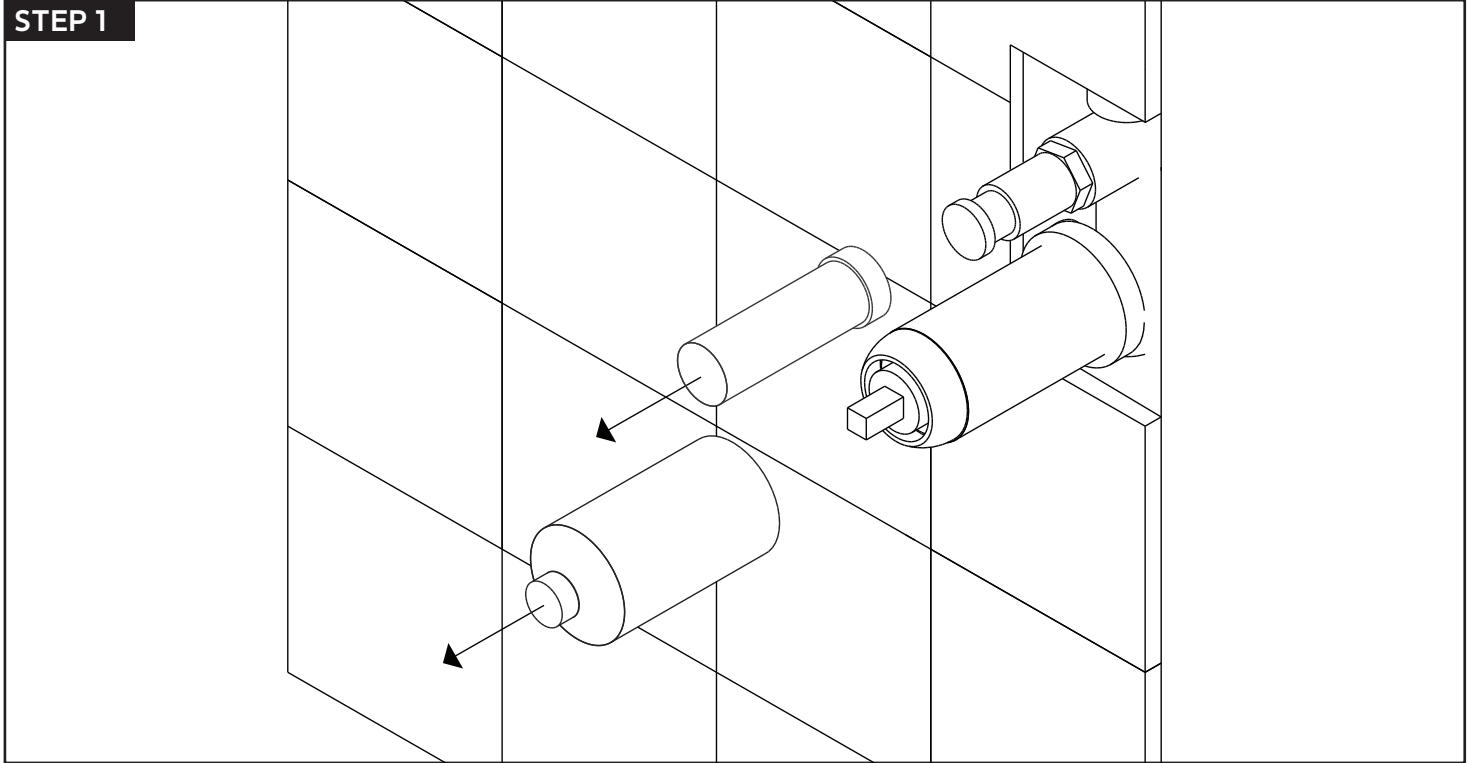


artos

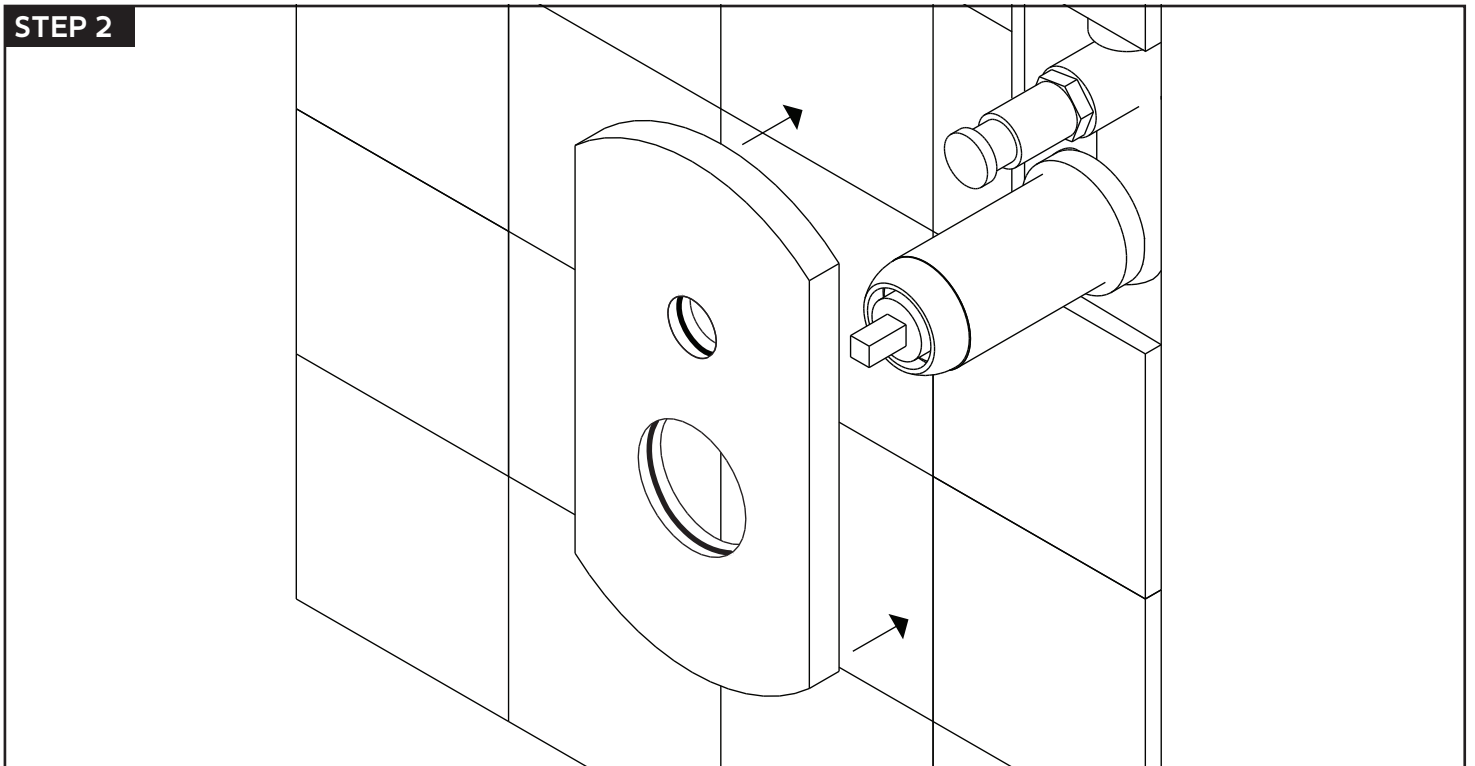
F903-8TK

pressure balance mixer with
push-button diverter trim kit
saifre

STEP 1

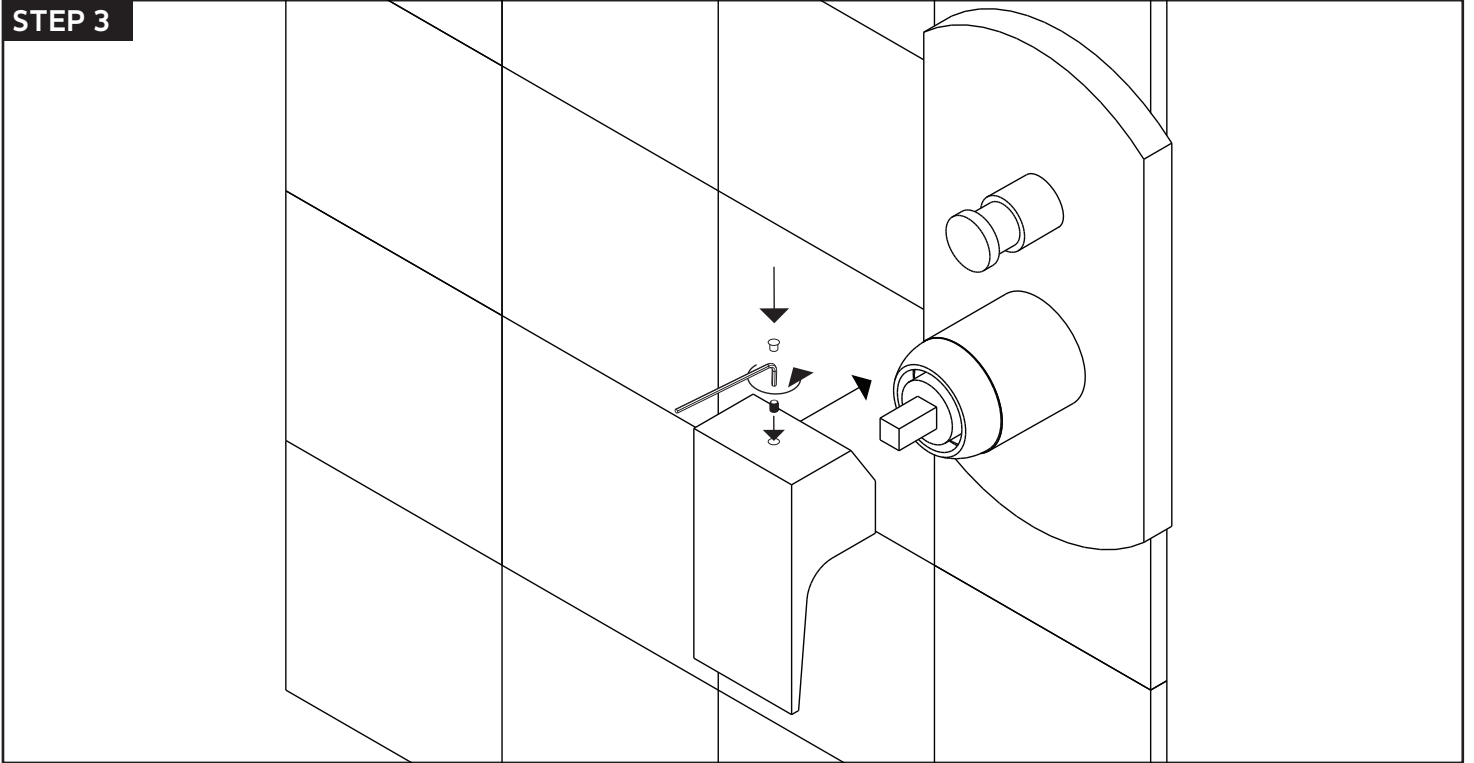


STEP 2



INSTALLATION STEPS

STEP 3

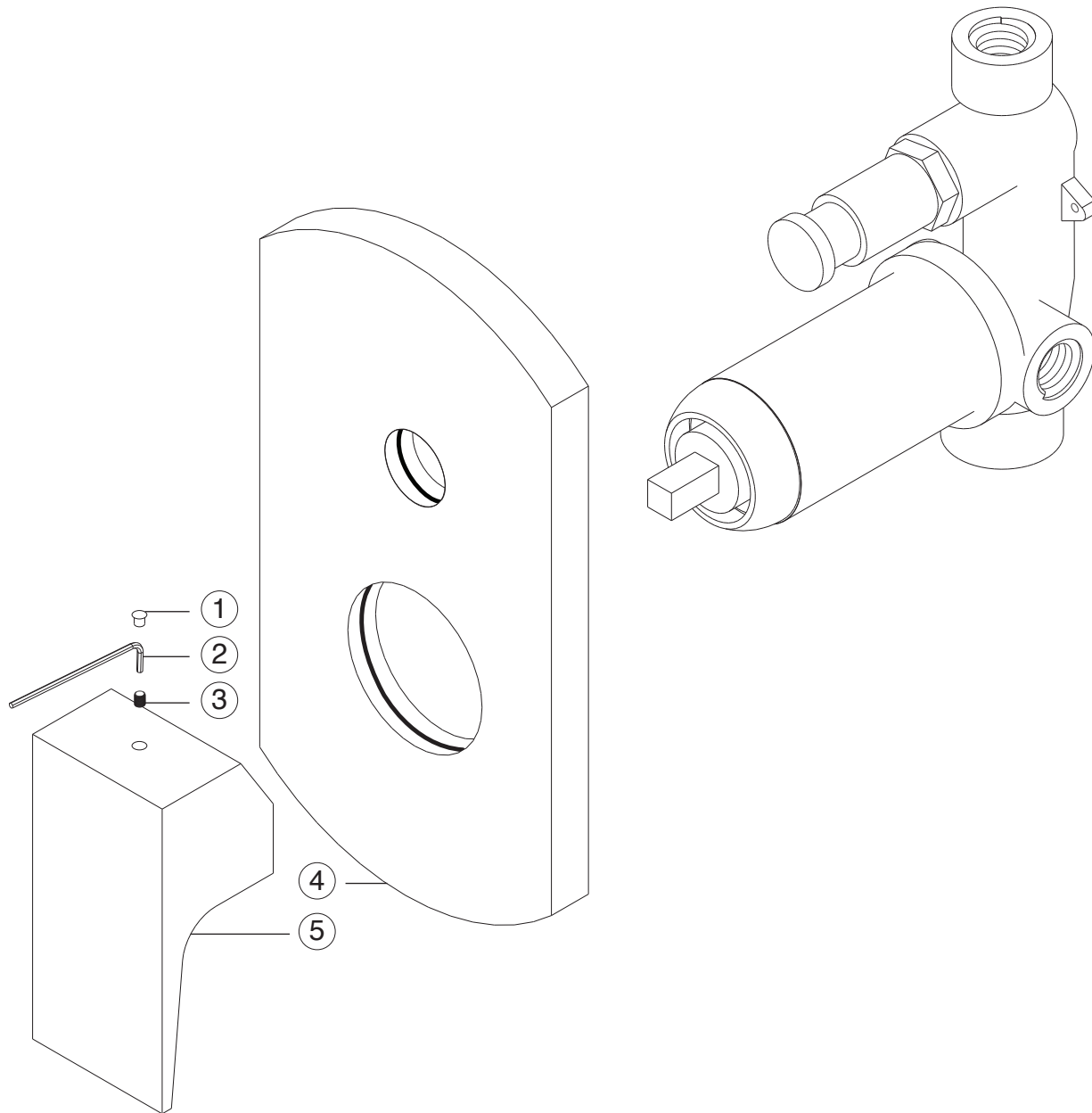


artos

F903-8TK

PARTS BREAKDOWN

pressure balance mixer with
push-button diverter trim kit
saifre



- ① SET SREW CAP
- ② ALLEN WRENCH
- ③ SET SCREW
- ④ ESCUTCHEON
- ⑤ PRESSURE BALANCE HANDLE