

artos

F903-11TK

INSTALLATION GUIDE

pressure balance mixer trim
kit r+s

BRUSHED NICKEL(BN)



CHROME(CH)



artos

F903-11TK

pressure balance mixer trim
kit r+s

OPERATING SPECIFICATIONS

for associated valve | F903-15



OPERATING PRESSURE

Minimum: 45 psi

Maximum: 75 psi

Above 90psi it may be necessary to install a pressure reducer

OPERATING TEMPERATURE

Maximum: 176°

FLOW CAPACITY

6.0 USGPM@60 psi

Used with shower heads rated at 2 gpm or higher

INLET/OUTLET

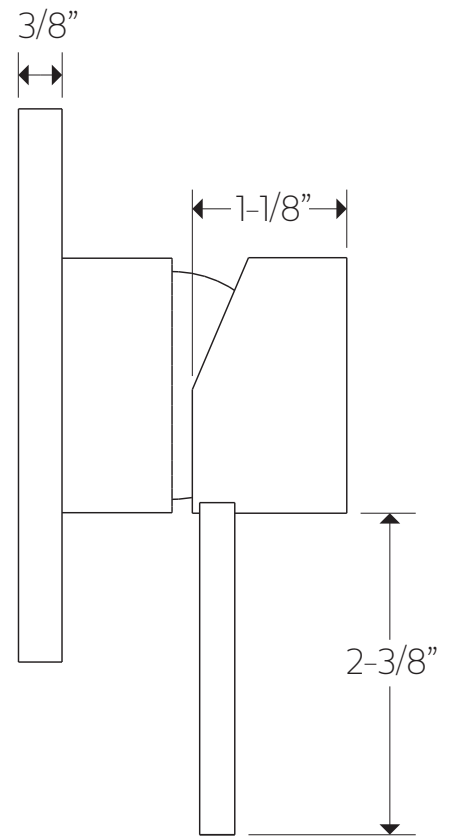
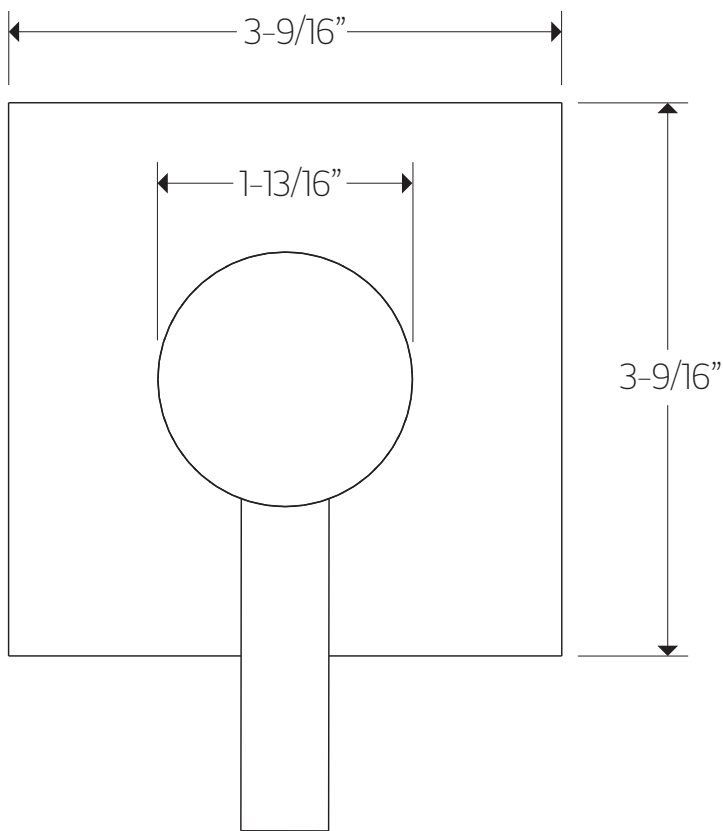
1/2" Female NPT

artos

F903-11TK

PRODUCT DIMENSIONS

pressure balance mixer trim
kit r+s

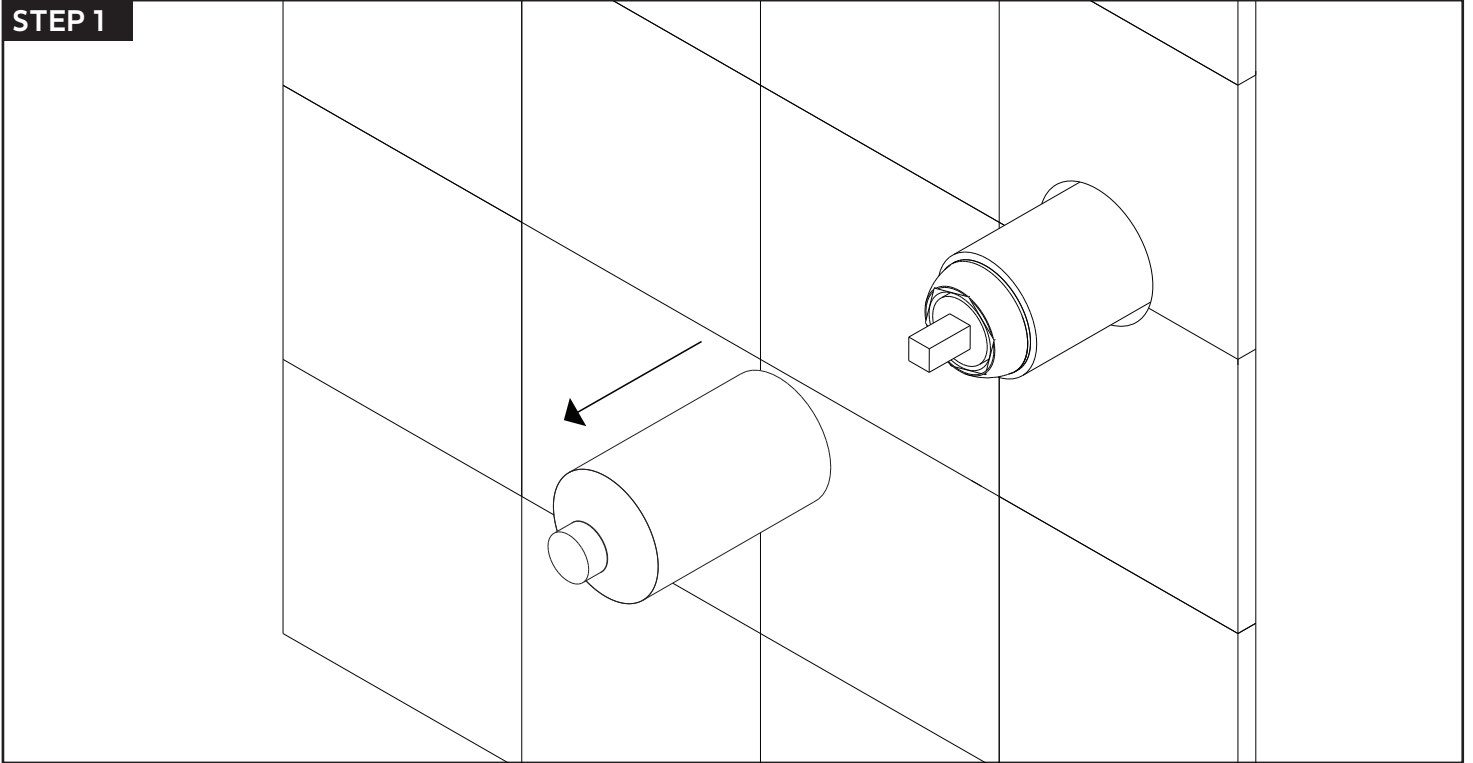


artos

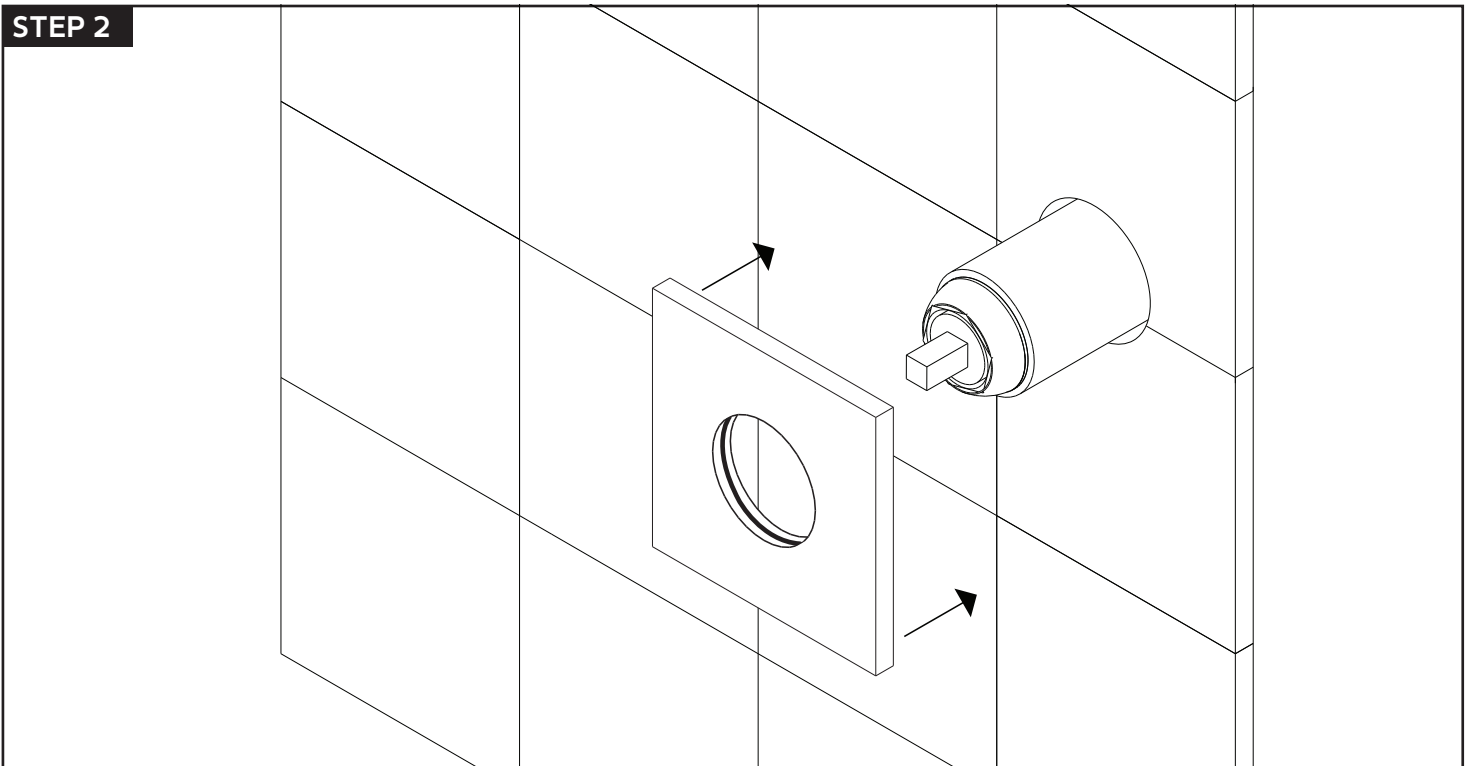
F903-11TK

pressure balance mixer trim
kit r+s

STEP 1

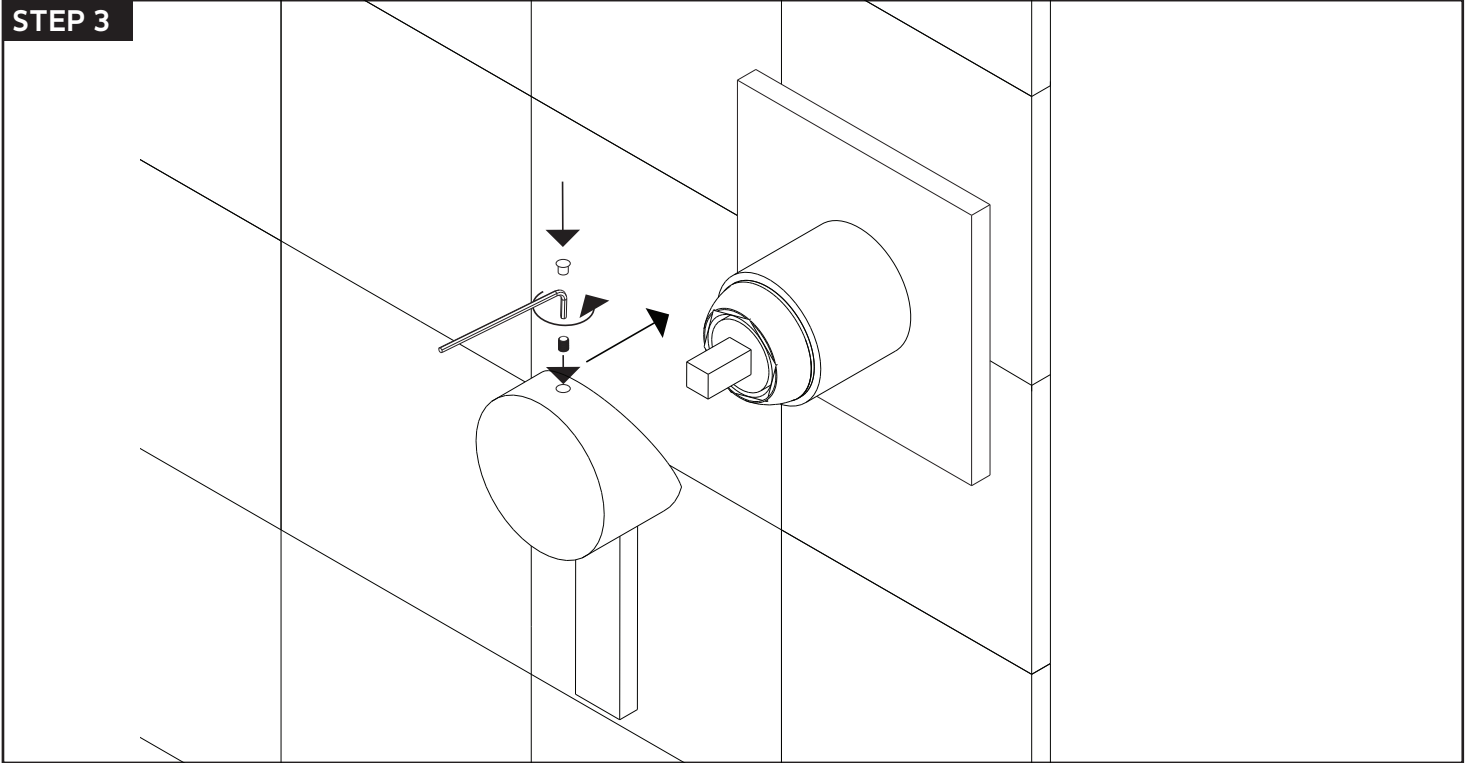


STEP 2



INSTALLATION STEPS

STEP 3

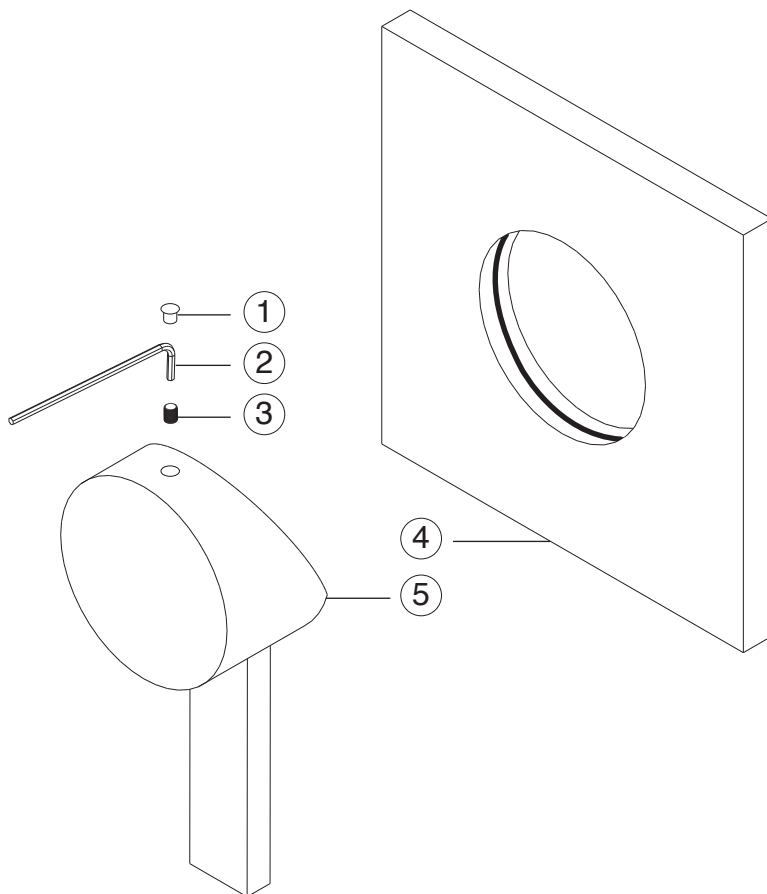
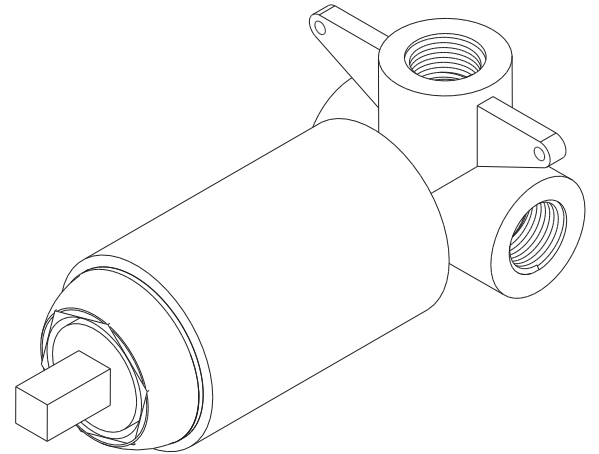


artos

F903-11TK

PARTS BREAKDOWN

pressure balance mixer trim
kit r+s



- ① SET SREW CAP
- ② ALLEN WRENCH
- ③ SET SCREW
- ④ ESCUTCHEON
- ⑤ PRESSURE BALANCE HANDLE