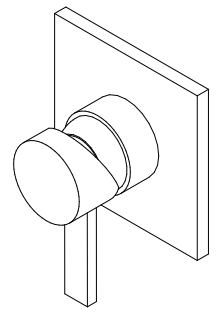


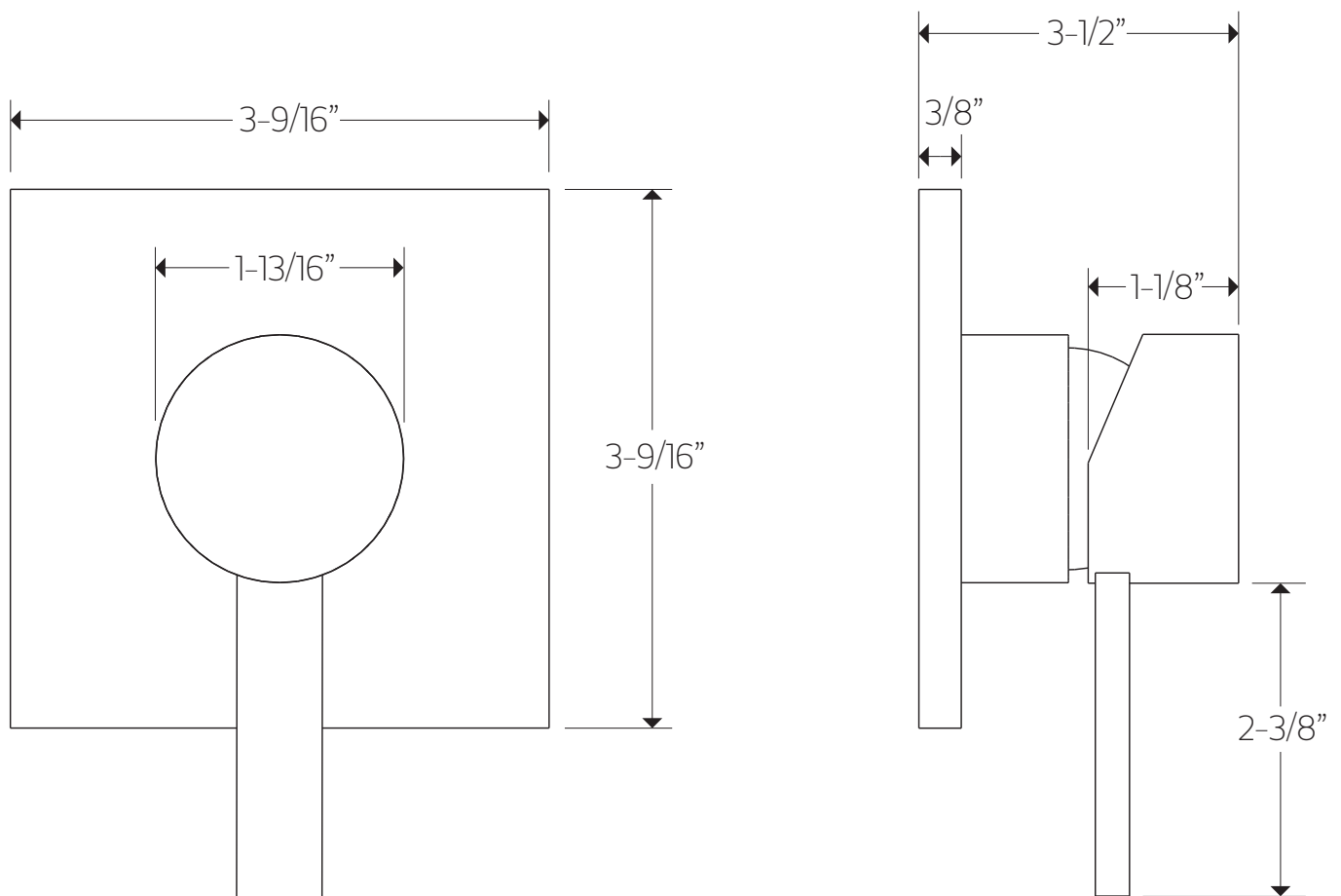
# artos<sup>®</sup>



F903-11TK

**TECHNICAL DATA SHEET**

pressure balance mixer trim  
kit r+s



# artos

F903-11TK

pressure balance mixer trim  
kit r+s

## OPERATING SPECIFICATIONS

for associated valve | F903-15



### OPERATING PRESSURE

Minimum: 45 psi

Maximum: 75 psi

Above 90psi it may be necessary to install a pressure reducer

### OPERATING TEMPERATURE

Maximum: 176°

### FLOW CAPACITY

6.0 USGPM@60 psi

Used with shower heads rated at 2 gpm or higher

### INLET/OUTLET

1/2" Female NPT