

artos[®]

F701-3

INSTALLATION GUIDE

safire vessel lav faucet
high

BRUSHED NICKEL(BN)



CHROME(CH)



artos[®]

F701-3

OPERATING SPECIFICATIONS

safire vessel lav faucet
high



OPERATING PRESSURE

Minimum: 15 psi

Maximum: 75 psi

90psi+ may be necessary to install a pressure reducer

OPERATING TEMPERATURE

Maximum: 176°

FLOW RATE

1.2 USGPM

REQUIREMENTS

Max Surface Thickness: 1-5/8"

APPROVALS

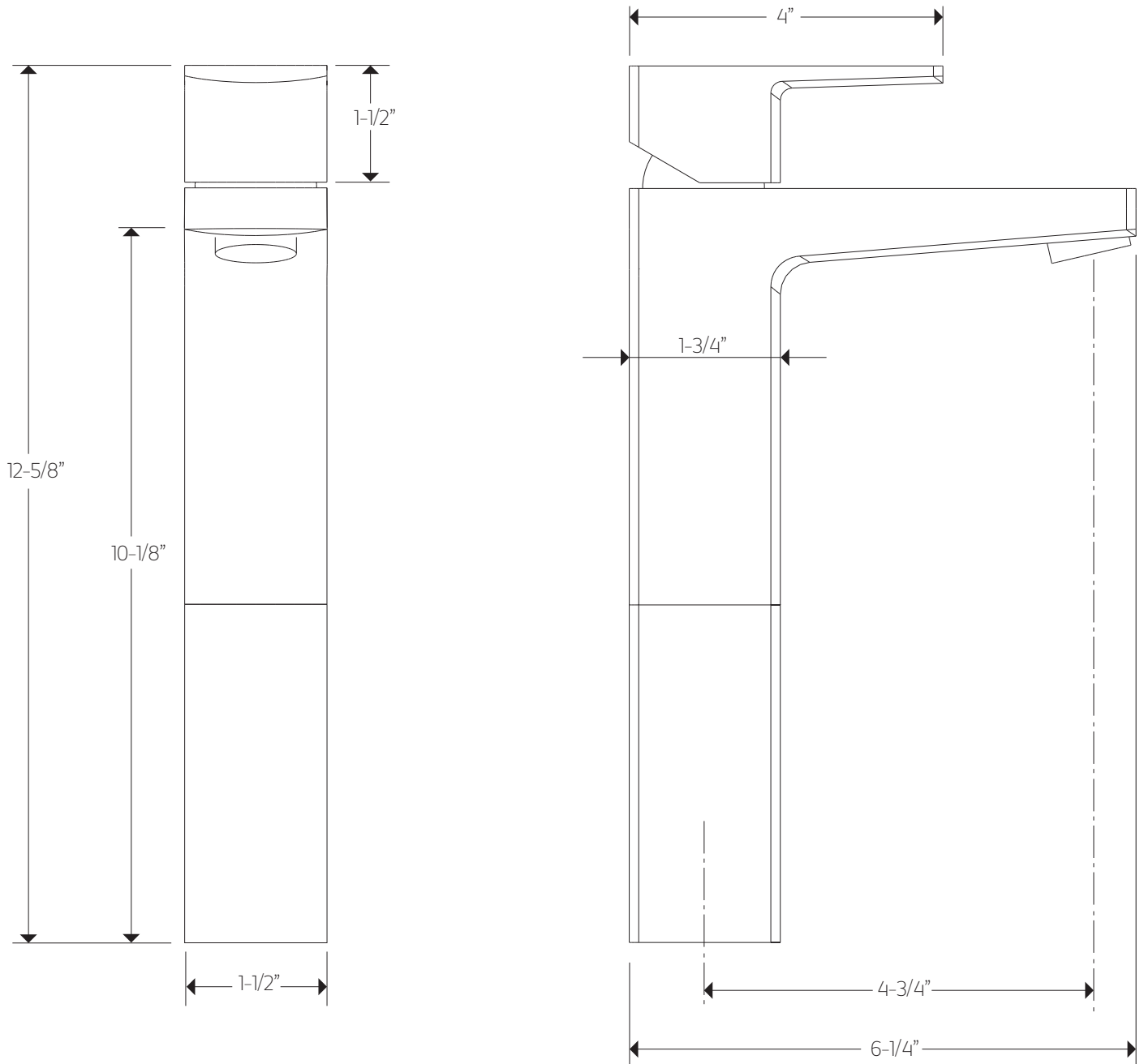


artos[®]

F701-3

PRODUCT DIMENSIONS

safire vessel lav faucet
high

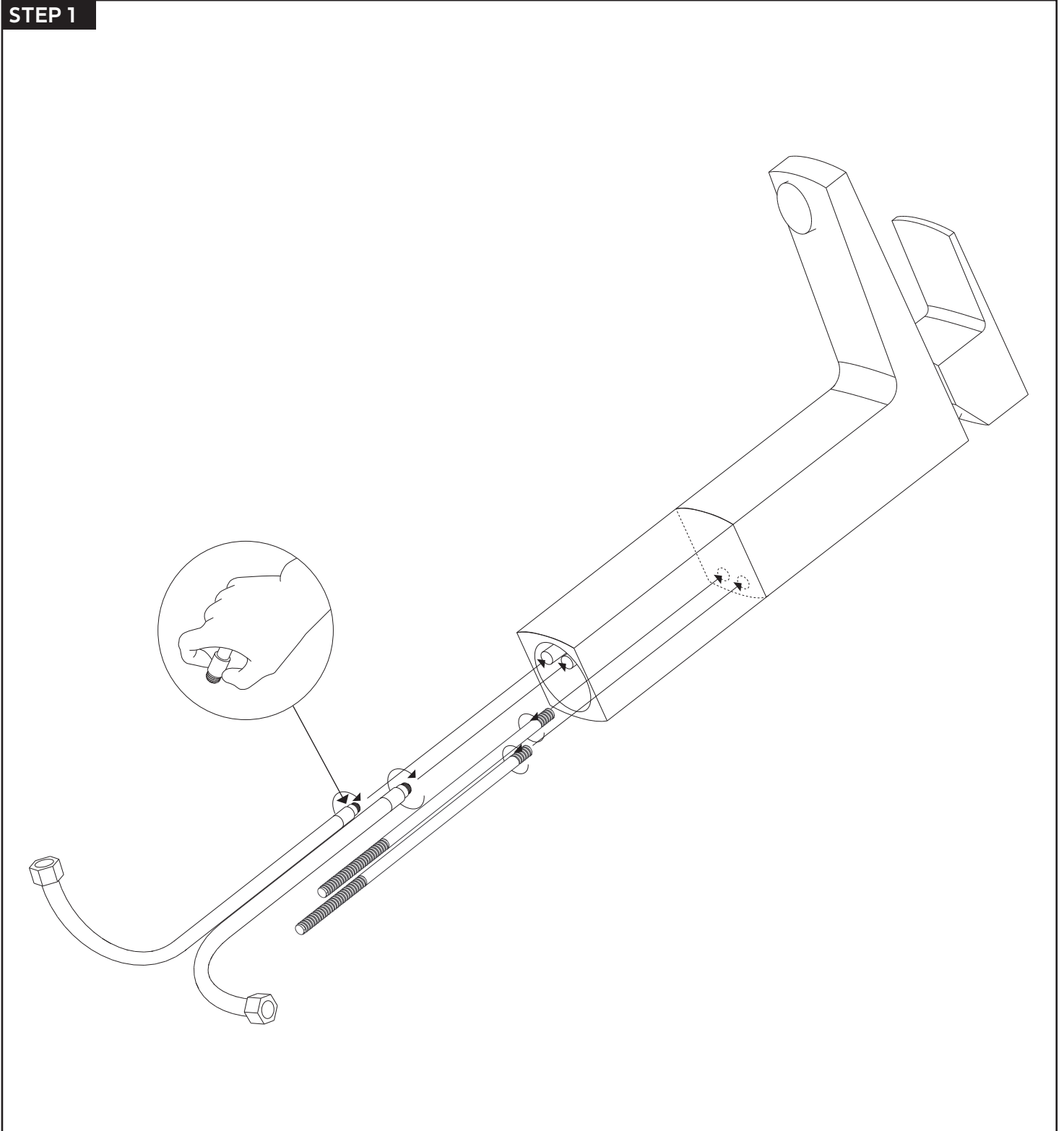


artos[®]

F701-3

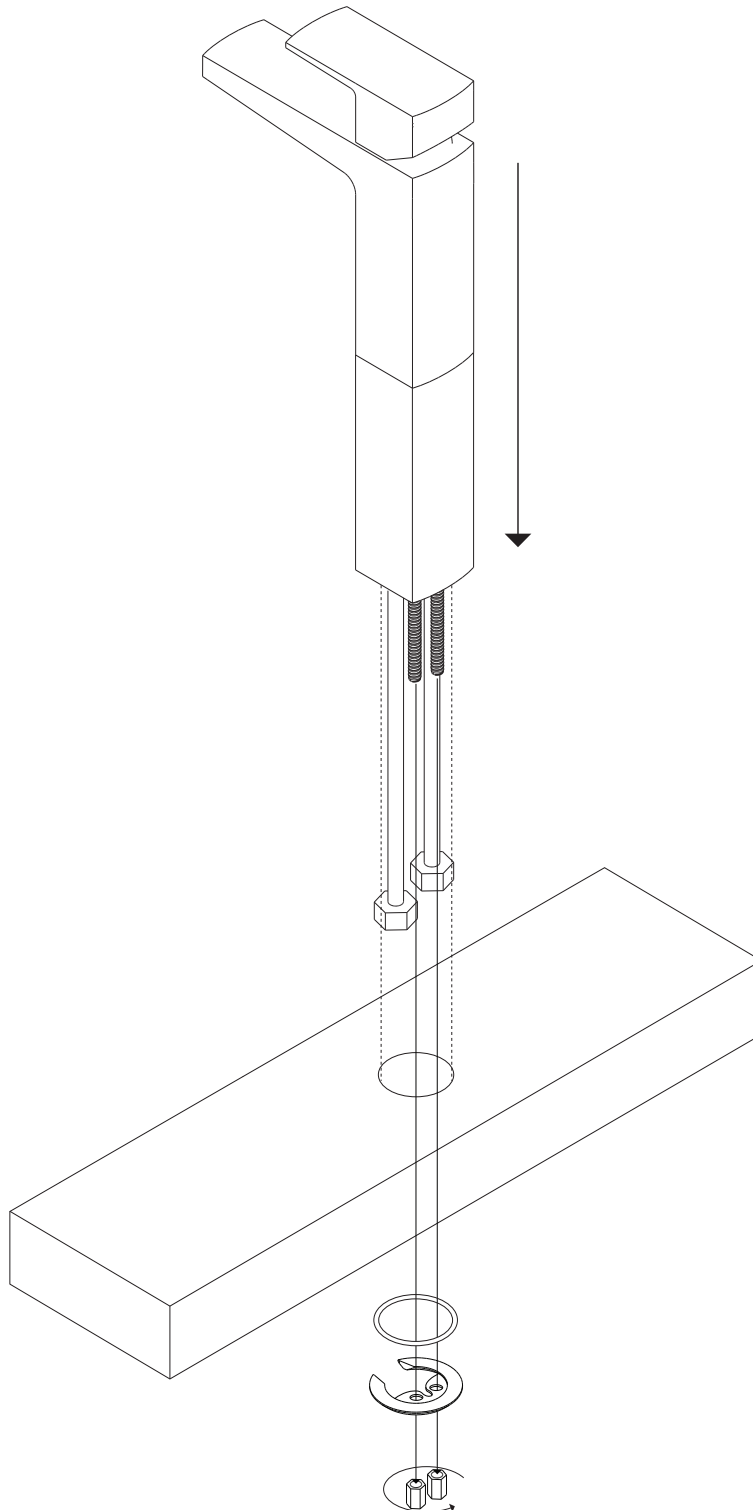
safire vessel lav faucet
high

STEP 1



INSTALLATION STEPS

STEP 2



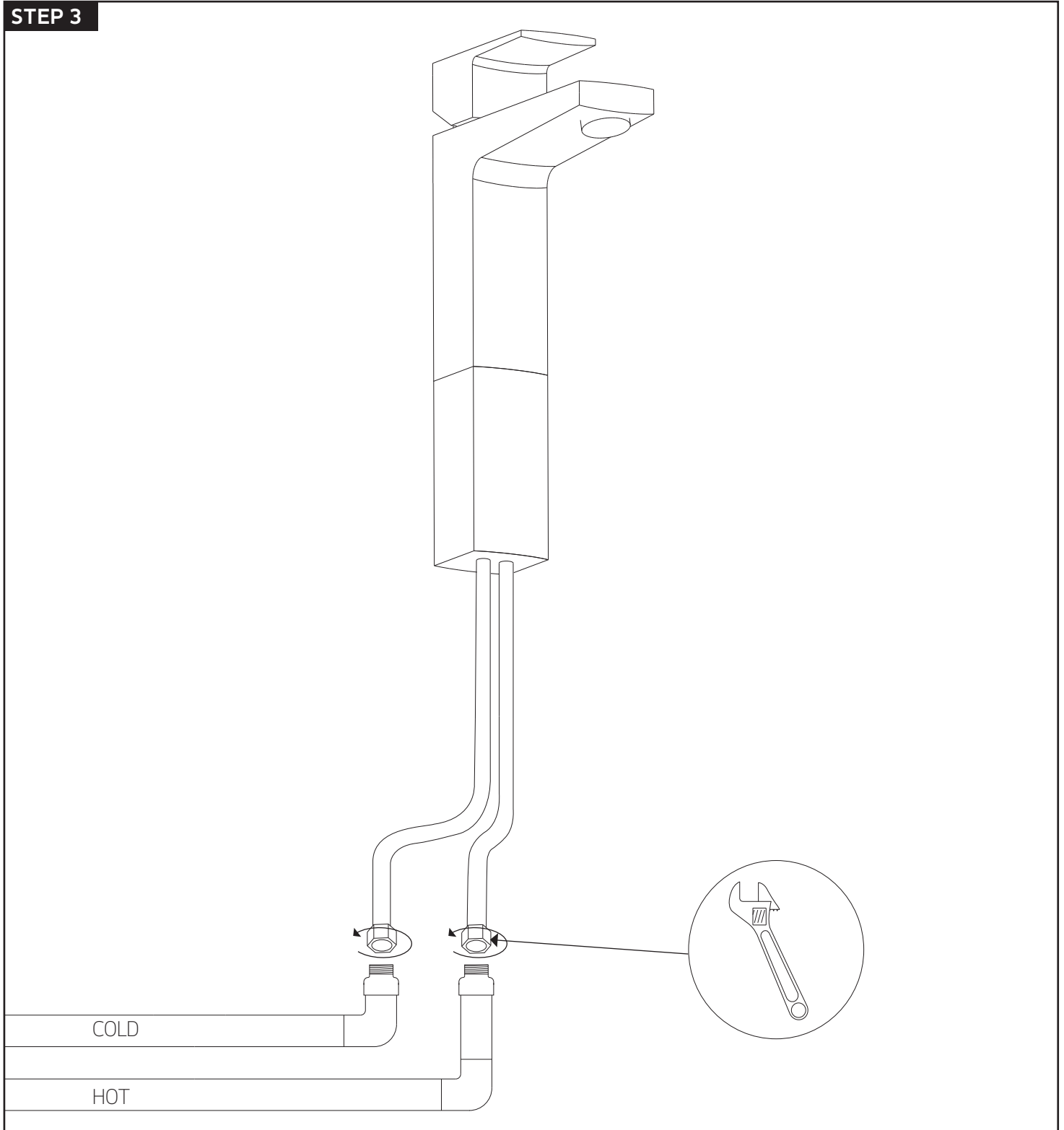
artos[®]

F701-3

INSTALLATION STEPS

safire vessel lav faucet
high

STEP 3



artos[®]

F701-3

safire vessel lav faucet
high

- ① HANDLE HOLE CAP
- ② HANDLE SET SCREW
- ③ FAUCET HANDLE
- ④ DRESS RING
- ⑤ CARTRIDGE SECURING NUT
- ⑥ CARTRIDGE: XP-12969
- ⑦ FAUCET BODY
- ⑧ RUBBER WASHER
- ⑨ METAL SECURING WASHER
- ⑩ THREADED ROD(2)
- ⑪ UNDER DECK SECURING NUT(2)
- ⑫ SUPPLY HOSE O-RING(2)
- ⑬ SUPPLY HOSE(2)
- ⑭ AERATOR WASHER
- ⑮ AERATOR
- ⑯ AERATOR REMOVAL TOOL

