

artos[®]

F301-2

INSTALLATION GUIDE

otella lav faucet

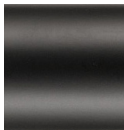
BRUSHED NICKEL(BN)



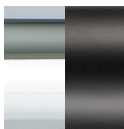
CHROME(CH)



BLACK(BK)



CHROME+BLACK(CHB)



artos[®]

F301-2

otella lav faucet

OPERATING SPECIFICATIONS



FEATURES

Adjustable Aerator

OPERATING PRESSURE

Minimum: 15 psi

Maximum: 75 psi

Above 90psi it may be necessary to install a pressure reducer

OPERATING TEMPERATURE

Maximum: 176°

FLOW RATE

1.2 USGPM

APPROVALS

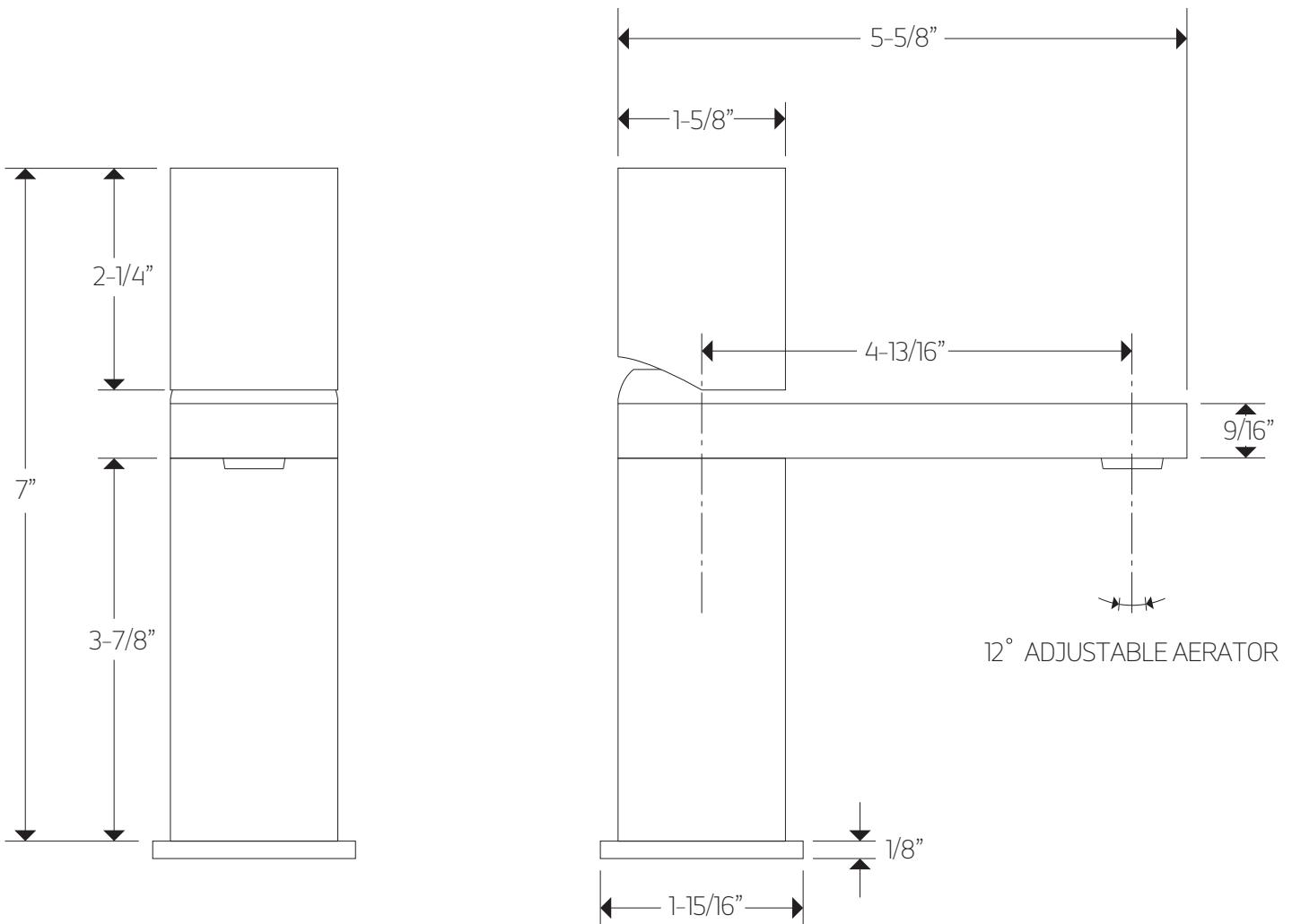


artos[®]

F301-2

PRODUCT DIMENSIONS

otella lav faucet

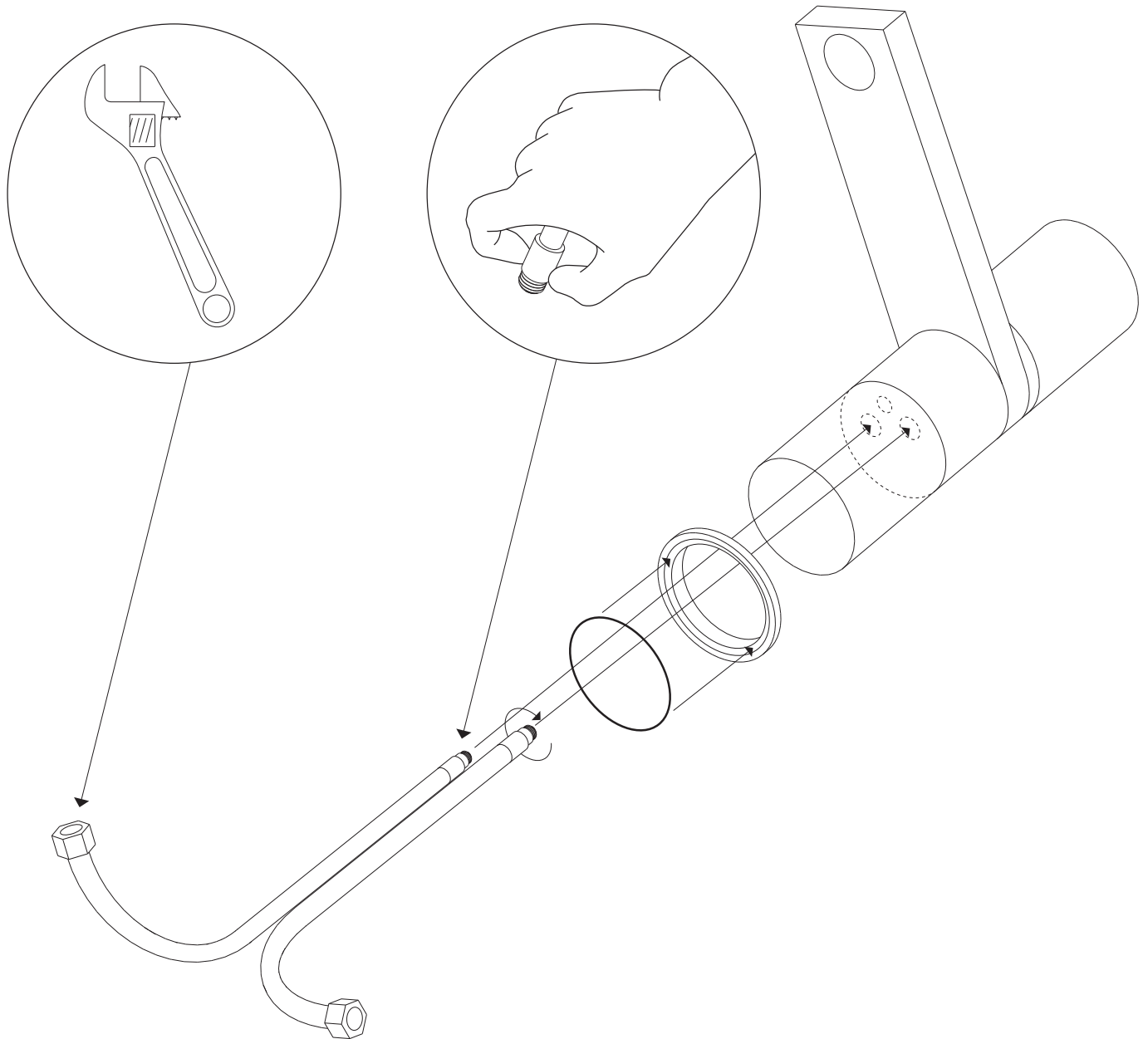


artos[®]

F301-2

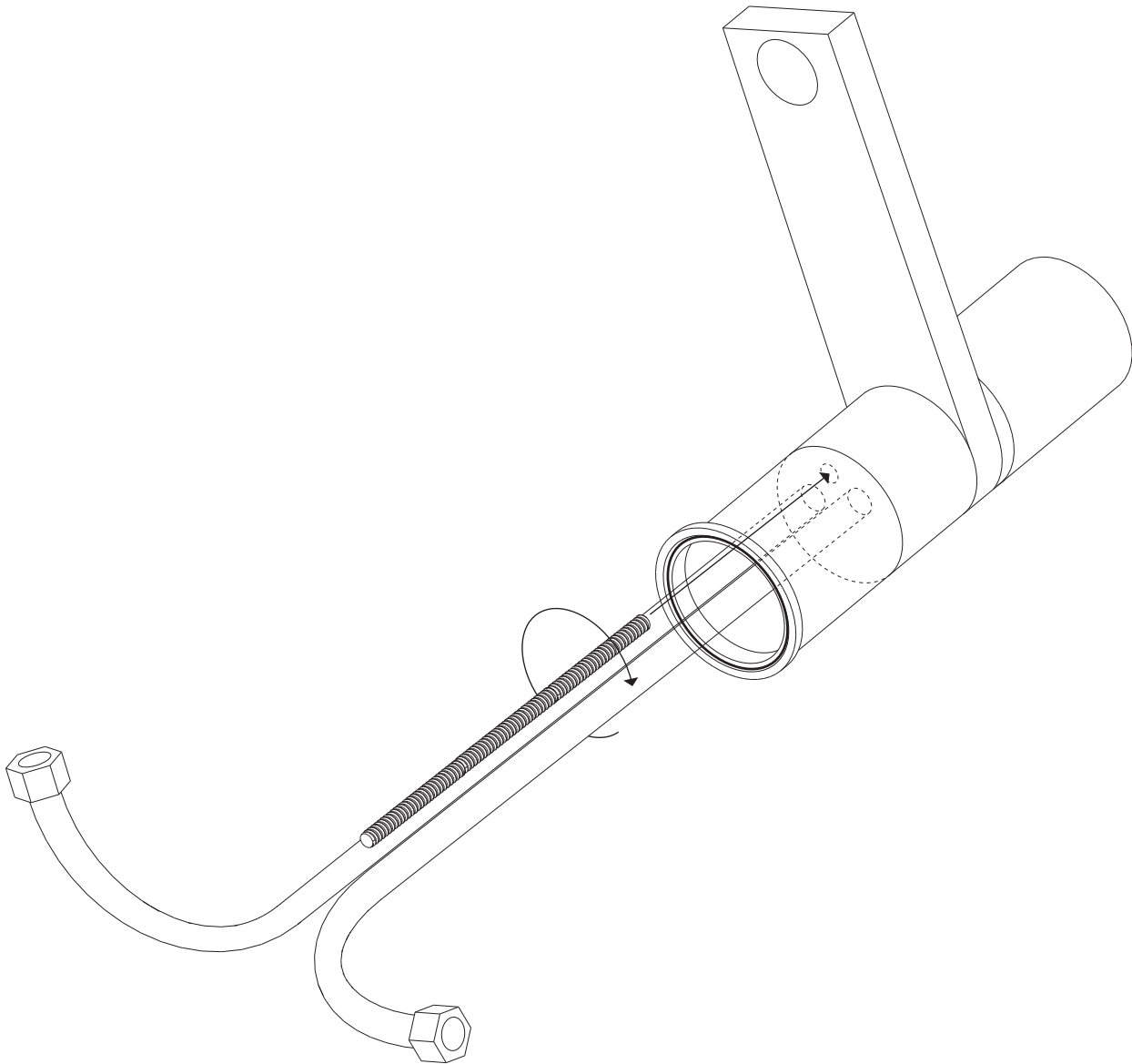
otella lav faucet

STEP 1



INSTALLATION STEPS

STEP 2

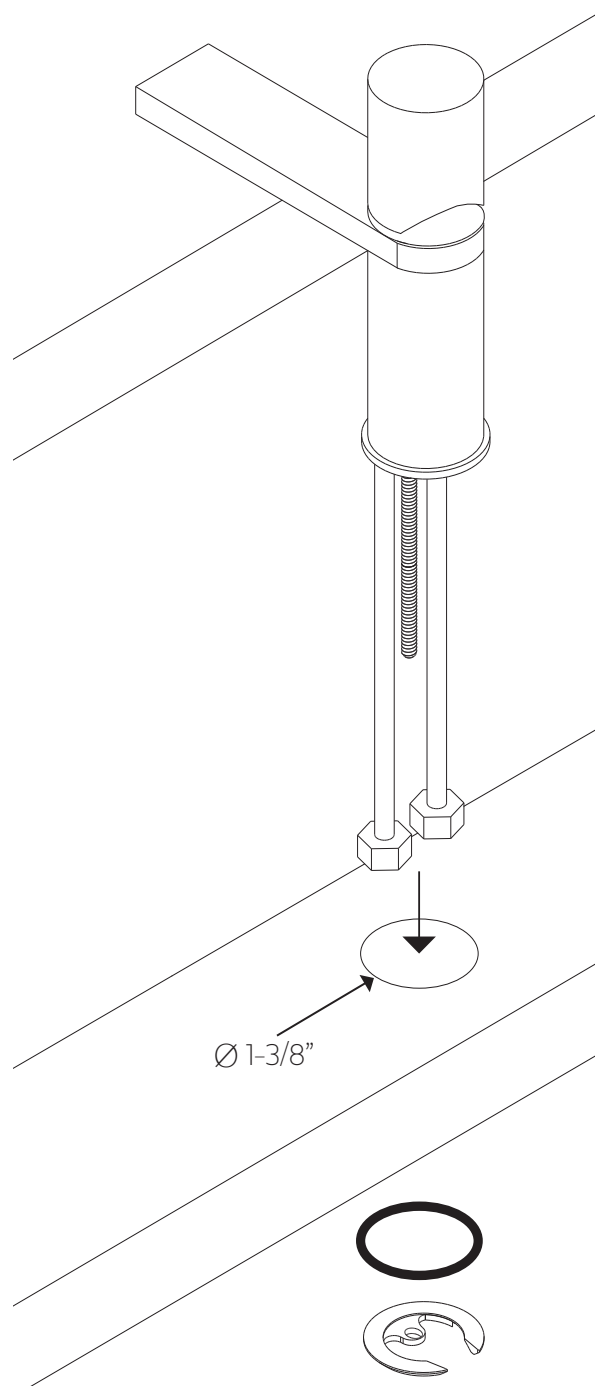


artos[®]

F301-2

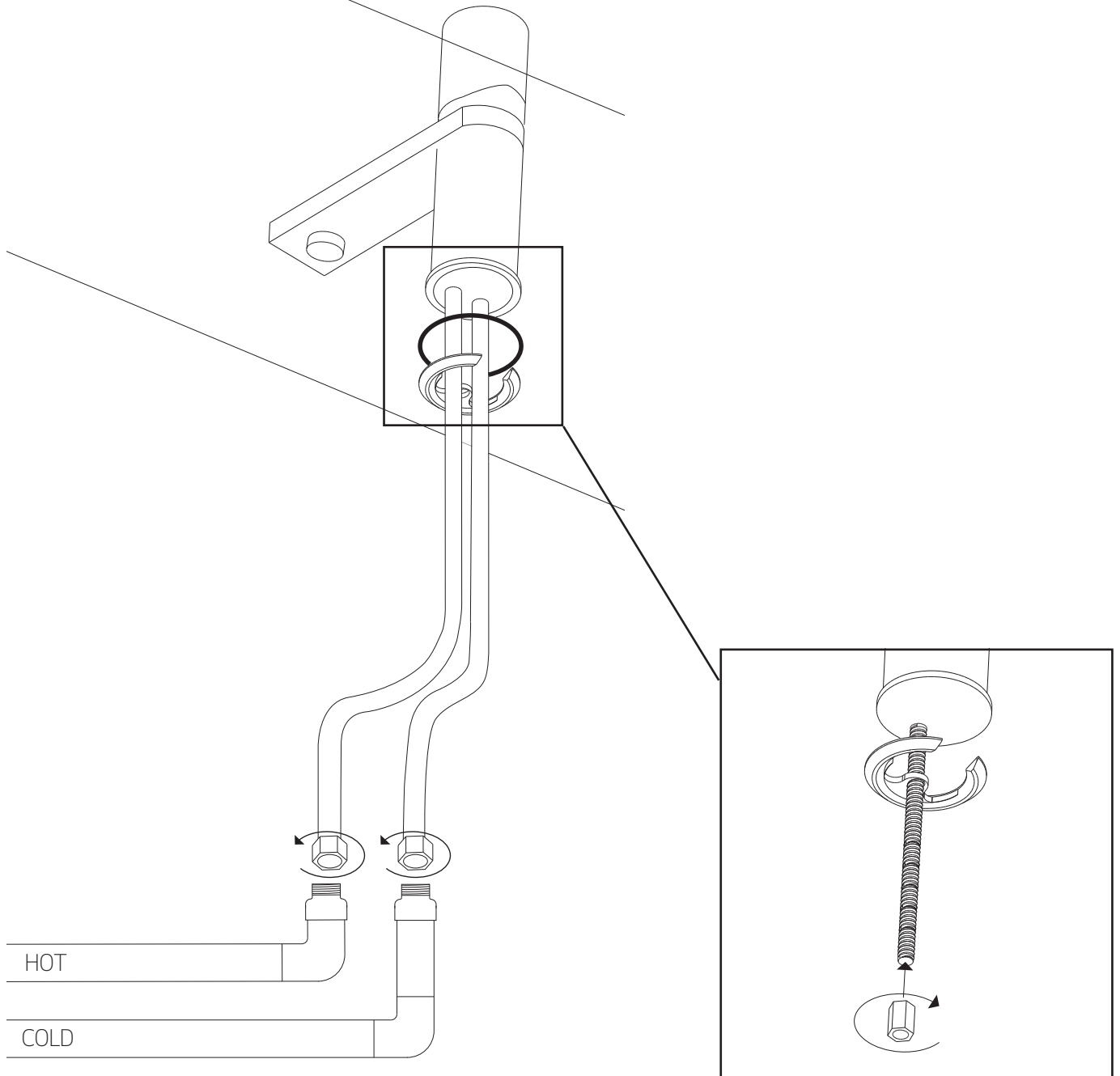
otella lav faucet

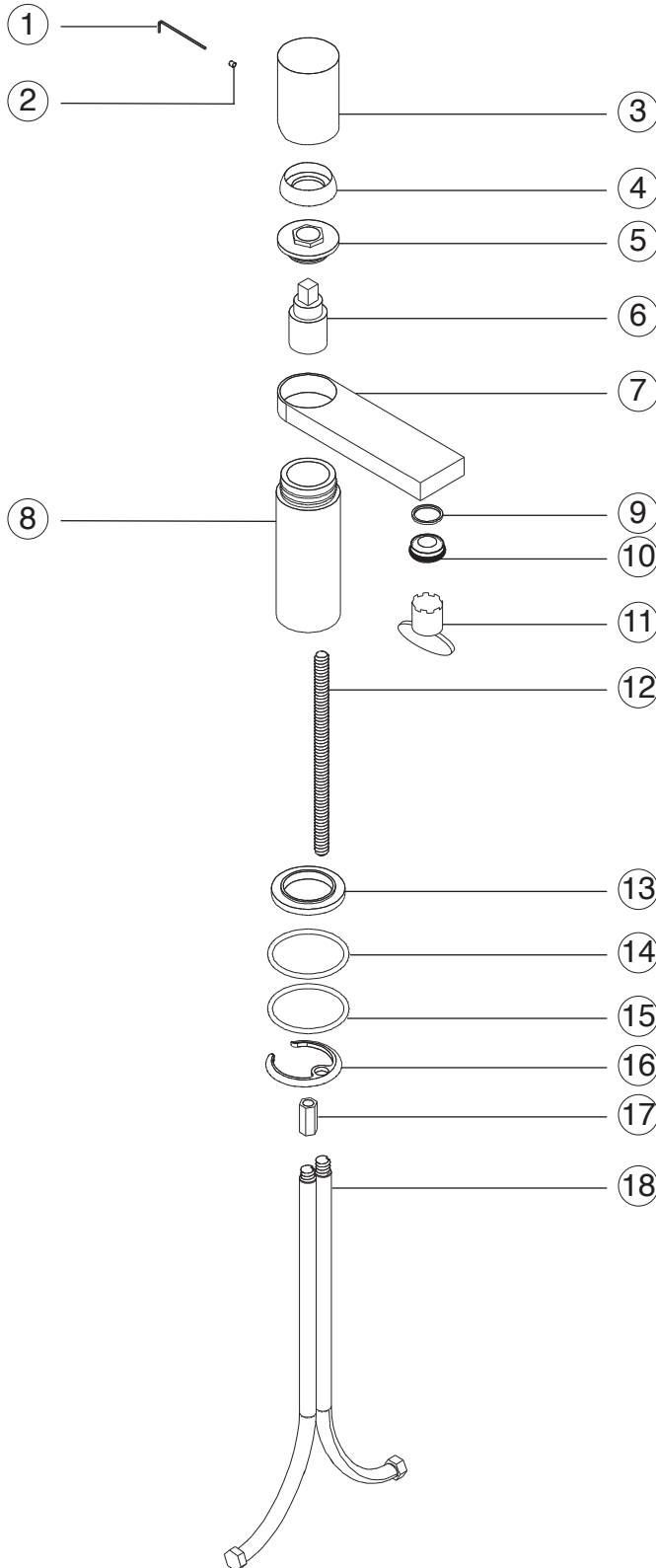
STEP 3



INSTALLATION STEPS

STEP 4





- ① ALLEN WRENCH
- ② SET SCREW
- ③ FAUCET HANDLE
- ④ CARTRIDGE DRESS RING
- ⑤ CARTRIDGE SECURING NUT
- ⑥ CARTRIDGE
- ⑦ FAUCET SPOUT
- ⑧ FAUCET BODY
- ⑨ AERATOR WASHER
- ⑩ FAUCET AERATOR
- ⑪ AERATOR REMOVAL TOOL
- ⑫ STAY BAR
- ⑬ ESCUTCHEON RING
- ⑭ ESCUTCHEON RING GASKET
- ⑮ BRACKET FLANGE GASKET
- ⑯ MOUNTING BRACKET FLANGE
- ⑰ FLANGE SECURING NUT
- ⑱ SUPPLY HOSES